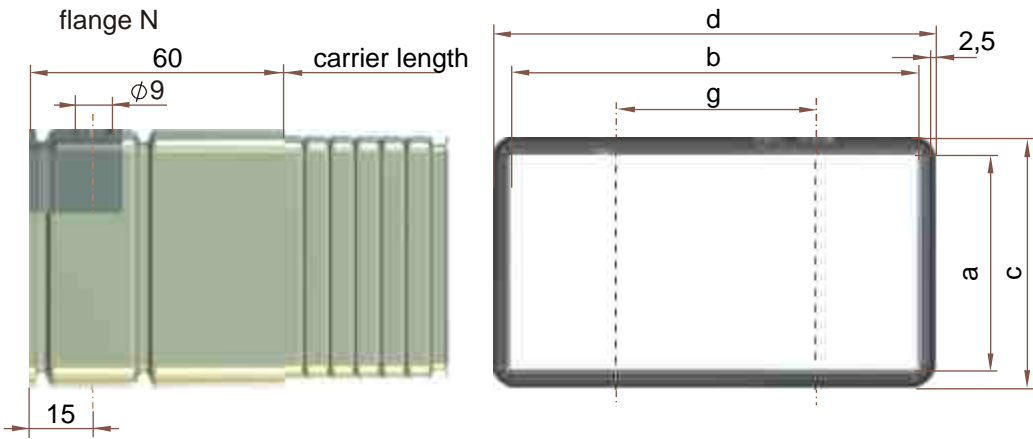


SFK

SFK dimensions 106

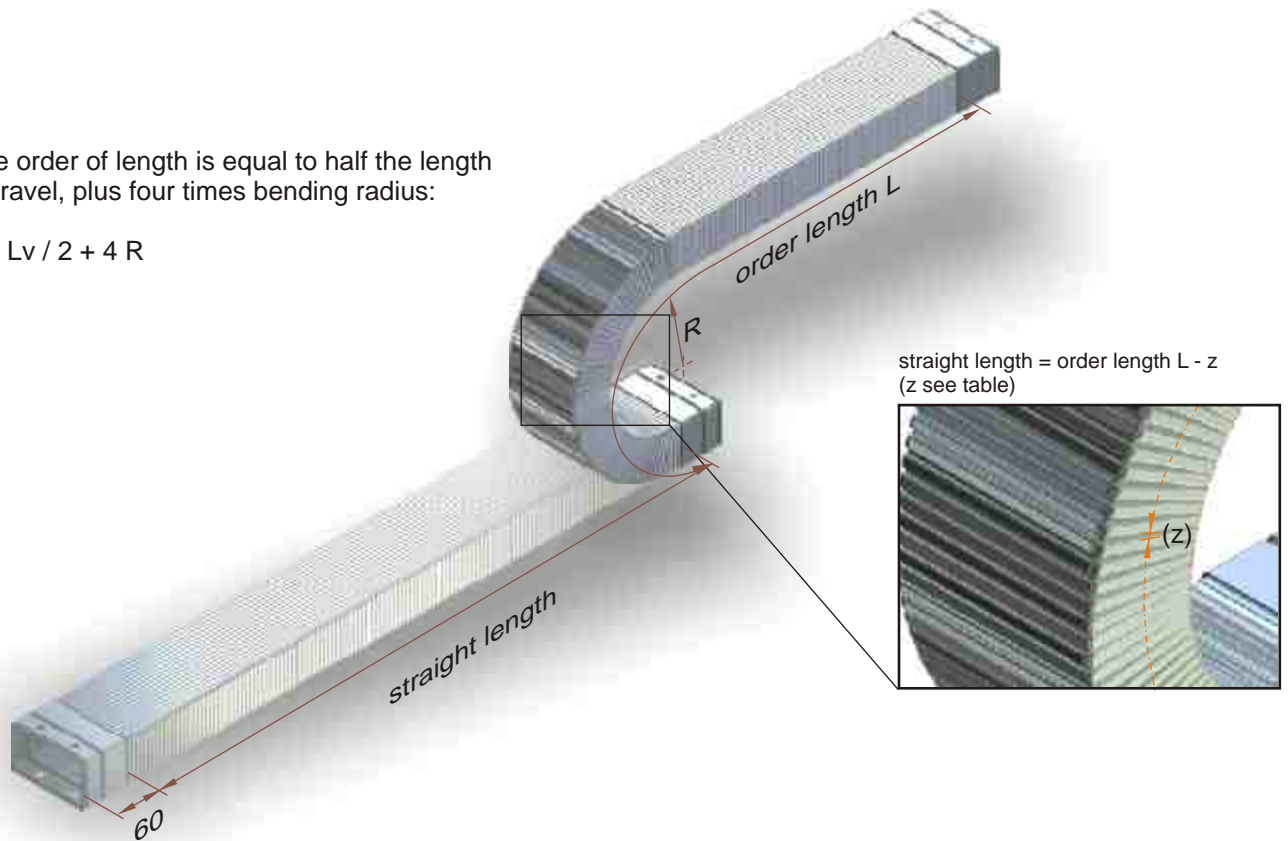
SFK connectors 107



SFK	radius	a	b	c	d	g	k	p	z	weight kg/m
22 N	100 / 150	40	79	45	85	50	30,5	71	65	3.0
22 H	150 / 200	56	80	60	85	50	30,5	86	90	3.5
22 S	200	78	78	85	85	50	30,5	111	130	5.1
32 N	150 / 200	54	109	60	115	80	30,5	86	90	4.8
32 H	200 / 250	75	110	80	115	80	30,5	106	120	5.3
32 S	300	109	109	115	115	80	30,5	141	175	6.6

The order of length is equal to half the length of travel, plus four times bending radius:

$$L = Lv / 2 + 4 R$$



order example: max. travel distance 3 m, bending radius 100 mm, standard arrangement

SFK 32N / 200	x	1900	/	N/N
type / radius	x	length	/	connectors / arrangement

## SFK Characteristics

The chain consists of a rectangular, galvanized steel spiral band and mounted in inner radius is a spring steel band. The SFK offers large usable cross-sections at low external dimensions and optimum line protection. At low cantilever lengths the SFK is ideal for areas with hot chips and sparks.

The temperature range is between  $-40^{\circ}$  and  $+180^{\circ}$  C.

## SFK Flanges

### Flange N

Standard is the low priced flange N, each with four mounting holes.

order example

SFK 32N	/ 250	x	3000	/ NN	/ h
type	/ radius	x	length	/ flange	/ arrangement

### Flange A

With countersunk screws, knurled nuts and angles the standard flange N changes to flange A.

order example

SFK 32N	/ 250	x	3000	/ AA	/ h
type	/ radius	x	length	/ flange	/ arrangement

### Flange B

Flange B is connected laterally with angles. The holes of standard flanges N are omitted.

order example

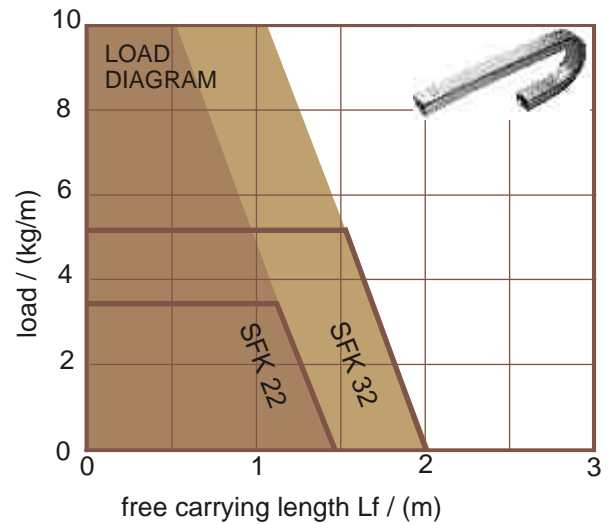
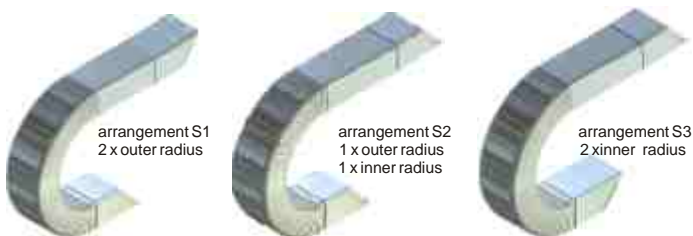
SFK 32N	/ 250	x	3000	/ BB	/ h
type	/ radius	x	length	/ flange	/ arrangement

## Scoop mount

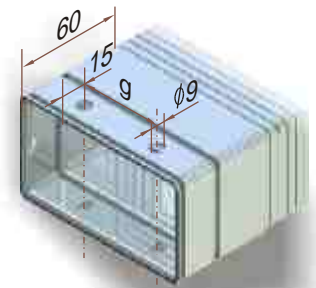
Scoop mount complements the diversity of the possible connector types.

order example

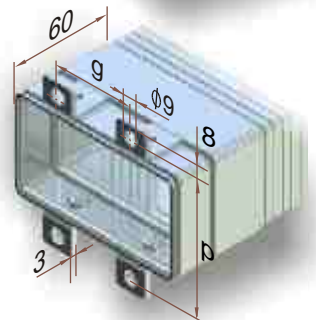
SFK 32N	/ 250	x	3000	/ S1	/ h
type	/ radius	x	length	/ flange	/ arrangement



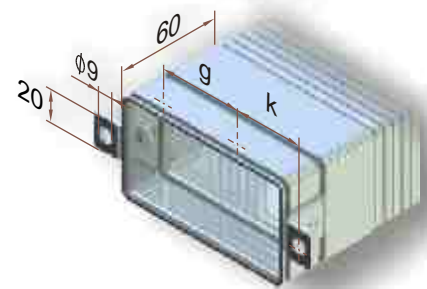
flange N



flange A



flange B



scoop bracket

